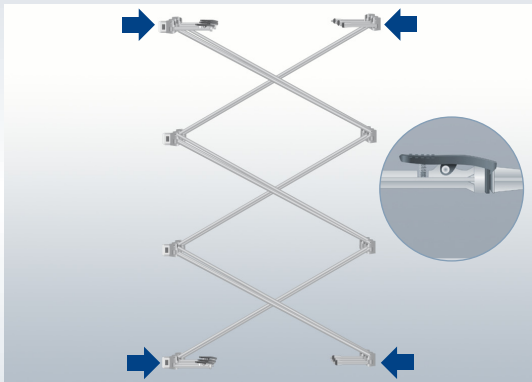




SET UP
INSTRUCTION
POP UP TOWER

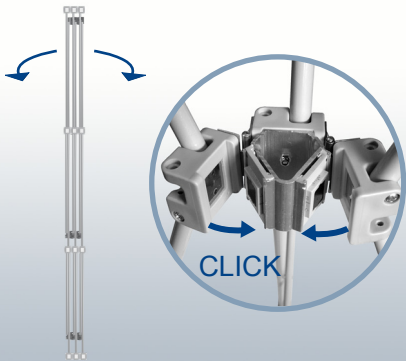
expolinc
Opportunities on display

1



Expand the system and make sure that the lockers click in each other.

2



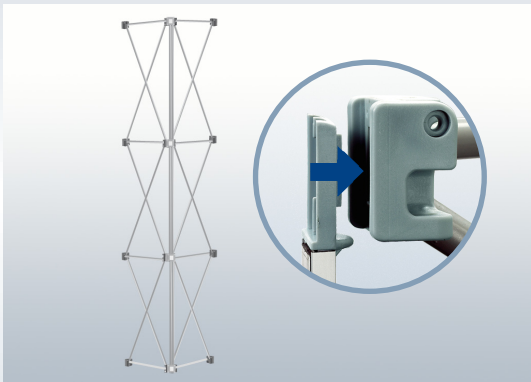
Fold out the pin-jointed parts of the system and make sure they click into the magnetic fasteners.

3



Unfold one magnetic bar at the time.

4



Click the magnetic bars into the hubs on the system.

5



Click the hangers on top of each graphic panel onto the magnetic slot located on the magnetic bars. Let the panel fall down into place.

6



Check that all graphic panels are flat. Adjust as needed by gently smoothing with your hand.